

TRANSFORMER PRIMARY LEAD CLR:	
120	- WHT
208	- RED
240	- ORG
277	- BRN
380	- PUR OR YEL
460	- BLK/RED
575	- GRY



FACTORY WIRE _____
 FIELD WIRE - - - - -

STANDARD COMPONENTS LEGEND:

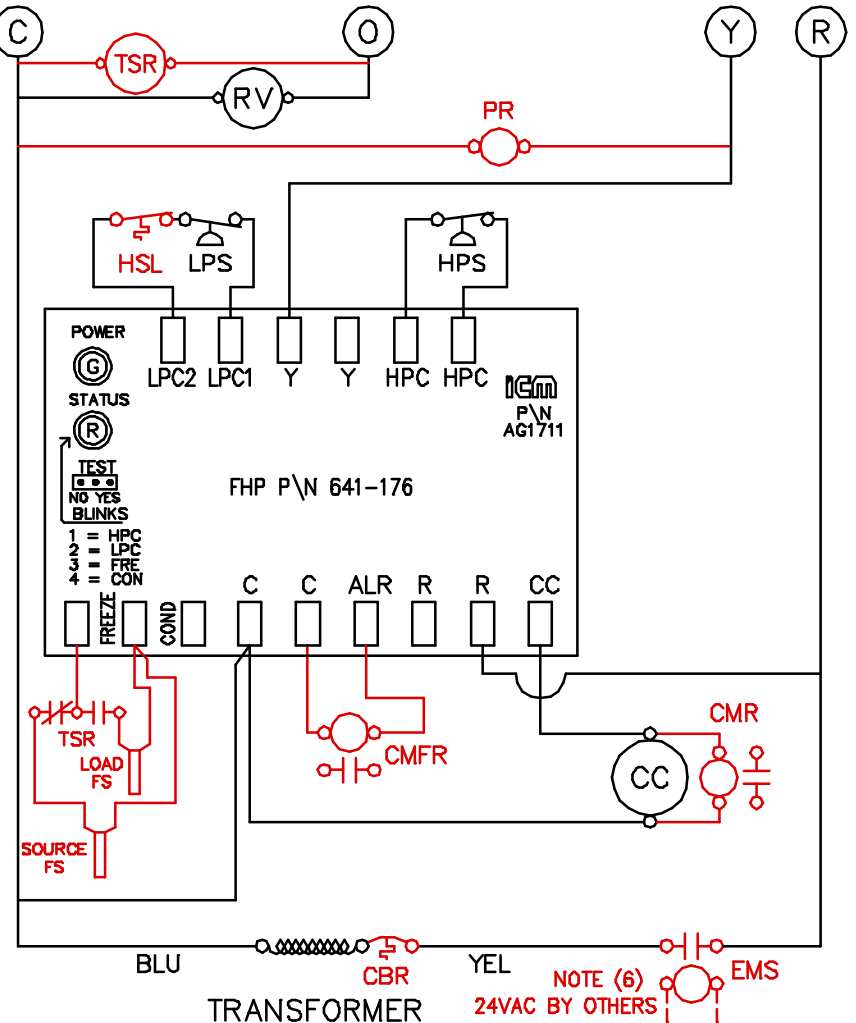
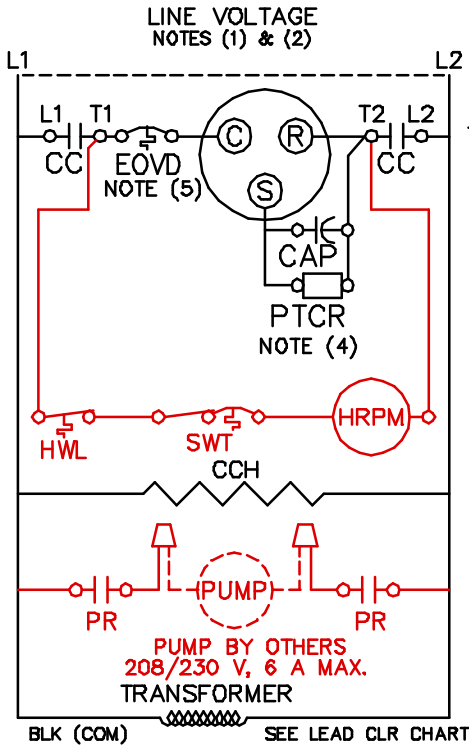
- CAP - COMPRESSOR CAPACITOR
- CC - COMPRESSOR CONTACTOR
- CCH - CRANKCASE HTR (WHEN SUPPLIED)
- EOVD - EXTERNAL OVERLOAD (NOTE 5)
- HPS - HIGH PRESSURE SWITCH
- LPS - LOW PRESSURE SWITCH
- PTCR - POS TEMP COEFF RSTR (NOTE 4)
- RV - REVERSING VLV (HEAT PUMPS)

OPTIONAL COMPONENTS LEGEND:

- [] CBR - 24V CIRCUIT BREAKER
- [] CMFR - COMPR MALFUNCTION RELAY
- [] CMR - COMPR MONITOR RELAY
- [] EMS - ENERGY MGMT SYSTEM RELAY
- [] FS - FREEZE SENSORS, PROVIDED WITH:
 - TSR - FREEZE THERMISTER SWITCHING RELAY
- [] HRP - HEAT RECOVERY PACKAGE, INCLUDES:
 - HRPM - HEAT RECOVERY PUMP MOTOR
 - HWL - HOT WATER LIMIT (120 OR 140 DEG)
 - SWT - ON/OFF SWITCH AND OVERLOAD PROTECTION
- [] HSL - HIGH TEMP SUCTION LIMIT (WITH H.G. BYPASS ONLY)
- [] PR - PUMP RELAY

NOTES:

1. SEE UNIT NAME PLATE FOR ELECTRICAL RATING
2. ALL FIELD WIRING MUST BE IN ACCORDANCE WITH N.E.C.-N.F.P.A. #70, COPPER CONDUCTORS ONLY
3. 208/230V UNITS ARE FACTORY WIRED FOR 230V OPERATION. FOR 208V OPERATION, REMOVE ORG LEAD AND REPLACE WITH RED LEAD. CAP ALL UNUSED LEADS
4. PTCR IS STANDARD ON SELECT UNITS.
5. EXTERNAL OVERLOAD STANDARD ON ALL UNITS EQUIPPED WITH ROTARY COMPRESSORS.
6. FOR ALTERNATE EMS COIL VOLTAGES CONSULT FACTORY.
7. CCM-I INCLUDES BUILT IN: 30-60 SECOND RANDOM START
 5 MINUTE DELAY ON BREAK
 90 SECOND LOW PRESSURE BYPASS
8. SETTING THE TEST MODE JUMPER TO YES REDUCES ALL TIME DELAYS TO 5 SECONDS.
9. "FREEZE" PINS ON CCM MUST BE JUMPED TOGETHER IF FREEZE SENSOR IS NOT INSTALLED.
10. BLINK CODES FOR HARD LOCK OUT:
 - 1 - HIGH PRESSURE FAULT
 - 2 - LOW PRESSURE FAULT
 - 3 - FREEZE FAULT



WIRING DIAGRAM - SINGLE PHASE - ALL VOLTAGES WATER TO WATER				
SINGLE STAGE 1/2 THROUGH 6 TON CAPACITY UPM-I				
SIZE	CSSN.	DWG NO.	DRAWN BY	REV
	WW110014	WW110014	RKS	0
SCALE				DATE 1-17-03