

TRANSFORMER PRIMARY LEAD CLR:	
120	- WHT
208	- RED
240	- ORG
277	- BRN
380	- PUR OR YEL
460	- BLK/RED
575	- GRY



FACTORY WIRE \_\_\_\_\_  
FIELD WIRE - - - - -

**STANDARD COMPONENTS LEGEND:**

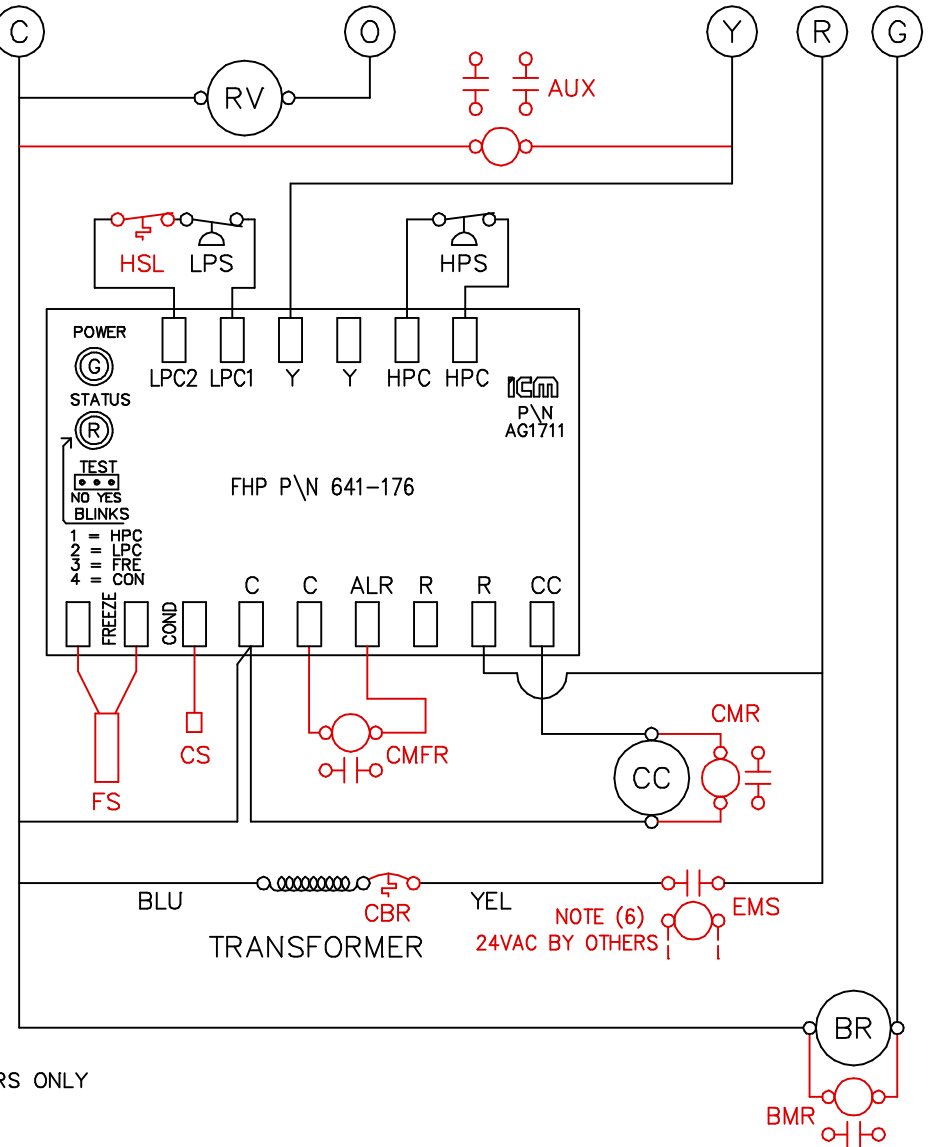
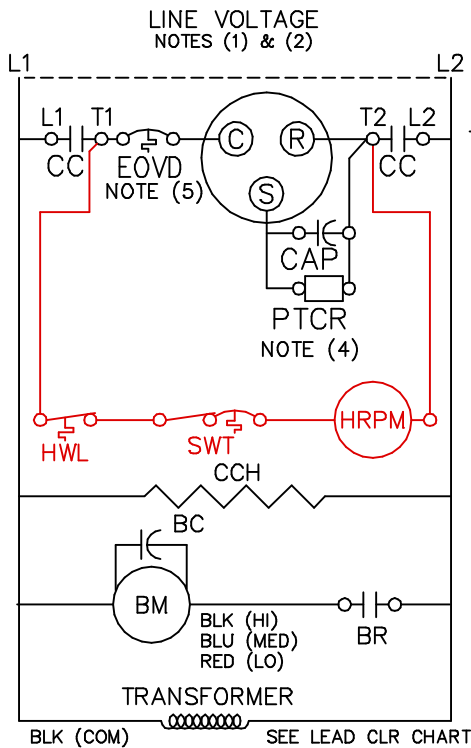
- BC - BLOWER MOTOR CAPACITOR
- BM - BLOWER MOTOR
- BR - BLOWER RELAY
- CAP - COMPRESSOR CAPACITOR
- CC - COMPRESSOR CONTACTOR
- CCH - CRANKCASE HTR (WHEN SUPPLIED)
- EOVD - EXTERNAL OVERLOAD (NOTE 5)
- HPS - HIGH PRESSURE SWITCH
- LPS - LOW PRESSURE SWITCH
- PTCR - POS TEMP COEFF RSTR (NOTE 4)
- RV - REVERSING VLV (HEAT PUMPS)

**OPTIONAL COMPONENTS LEGEND:**

- [ ] AUX - AUXILIARY RELAY (FOR LOOP PUMP, ETC.)
- [ ] BMR - BLOWER MOTOR RELAY
- [ ] CBR - 24V CIRCUIT BREAKER
- [ ] CMFR - COMPRESSOR MALFUNCTION RELAY
- [ ] CMR - COMPRESSOR MONITOR RELAY
- [ ] CS - CONDENSATE SENSOR (IN DRAIN PAN)
- [ ] EMS - ENERGY MGMT SYSTEM RELAY
- [ ] FS - FREEZE SENSOR
- [ ] HRP - HEAT RECOVERY PACKAGE, INCLUDES:
  - HRPM - HEAT RECOVERY PUMP MOTOR
  - HWL - HOT WATER LIMIT (120 OR 140 DEG)
  - SWT - ON/OFF SWITCH AND OVERLOAD PROTECTION
- [ ] HSL - HIGH TEMP SUCTION LIMIT (WITH H.G. BYPASS ONLY)

**NOTES:**

1. SEE UNIT NAME PLATE FOR ELECTRICAL RATING
2. ALL FIELD WIRING MUST BE IN ACCORDANCE WITH N.E.C.-N.F.P.A. #70, COPPER CONDUCTORS ONLY
3. 208/230V UNITS ARE FACTORY WIRED FOR 230V OPERATION. FOR 208V OPERATION, REMOVE ORG LEAD AND REPLACE WITH RED LEAD. CAP ALL UNUSED LEADS
4. PTCR IS STANDARD ON SELECT UNITS.
5. EXTERNAL OVERLOAD STANDARD ON ALL UNITS EQUIPPED WITH ROTARY COMPRESSORS.
6. FOR ALTERNATE EMS COIL VOLTAGES CONSULT FACTORY.
7. UPM-I INCLUDES BUILT IN: 30-60 SECOND RANDOM START  
5 MINUTE DELAY ON BREAK  
90 SECOND LOW PRESSURE BYPASS
8. SETTING THE TEST MODE JUMPER TO YES REDUCES ALL TIME DELAYS TO 5 SECONDS.
9. "FREEZE" PINS ON UPM MUST BE JUMPED TOGETHER IF FREEZE SENSOR IS NOT INSTALLED.
10. BLINK CODES FOR HARD LOCK OUT:
  - 1 - HIGH PRESSURE FAULT
  - 2 - LOW PRESSURE FAULT
  - 3 - FREEZE FAULT
  - 4 - CONDENSATE FAULT



WIRING DIAGRAM - SINGLE PHASE - ALL VOLTAGES				
SINGLE PHASE DIRECT DRIVE BLOWER MOTOR				
SINGLE STAGE				
1/2 THROUGH 6 TON CAPACITY				
UPM-I				
SIZE	CSSN.	DWG NO.	DRAWN BY	REV
	EM111099	EM111099	RKS	0
SCALE	DATE			12-10-02